

## Ball point screws

Steel / Stainless Steel

### SPECIFICATION

#### Version in Steel

##### Types

- Type **A**: full ball
- Type **B**: flat ball
- Type **V**: flat ball, with swivel limiting stop
- Type **VR**: flat ball, with swivel limiting stop, corrugated

##### Steel

- Tensile strength class 12.9
- blackened

##### Ball

- hardened
- blank

#### Version in Stainless Steel

##### Types

- Type **AN**: full ball
- Type **BN**: flat ball
- Type **VN**: flat ball, with swivel limiting stop
- Type **VRN**: flat ball, with swivel limiting stop, corrugated

##### Screw

Stainless Steel AISI 304

##### Ball

Stainless Steel AISI 440C  
hardened

### INFORMATION

Ball point screws GN 606 with full ball (Type A / Type AN) are used in applications where a ball point contact is required.

The flat faced moving ball (Type B / Type BN) allows a clamping or supporting of non parallel surfaces.

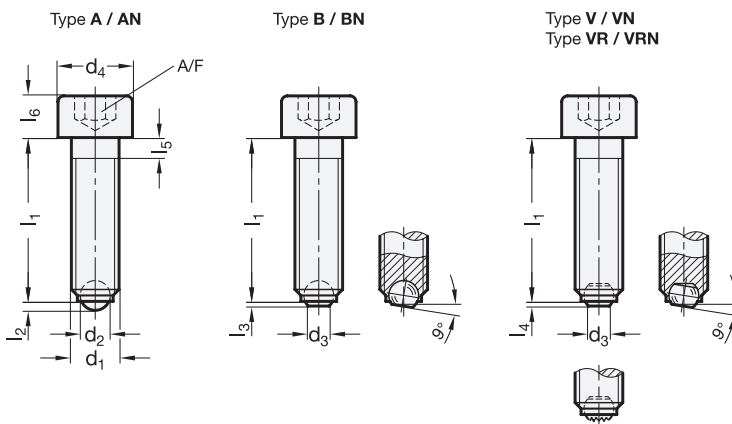
The ball of Type V/VN/VR/VRN can be swivelled to a maximum of 9° to ensure that clamping is always maintained on the flat section of the ball.

### ON REQUEST

- Ball point screws with (full) plastic ball (Type AK)

### TECHNICAL INFORMATION

- Stainless Steel characteristics (see page A26)
- Strength values of screws (see page A20)



9

Machine elements



